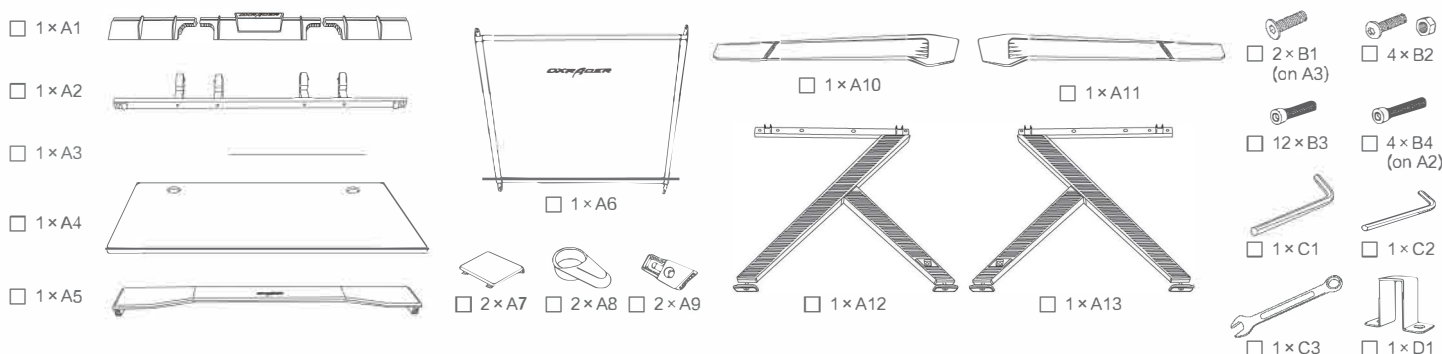


**Gaming Desk User's Manual**

Thank you for your trust and support on DXRACER®, we will serve for you heartedly. Please assemble according to the manual. The picture is only for reference, please make the object as the standard.

**01 Check Various Accessories Desk Accessories**

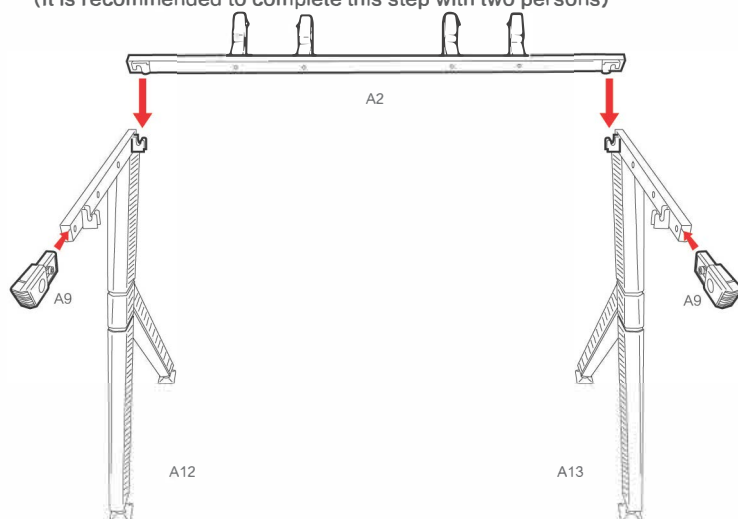
Please check and ensure the following things are in the package. You can call the local distributor for help if something is not included.



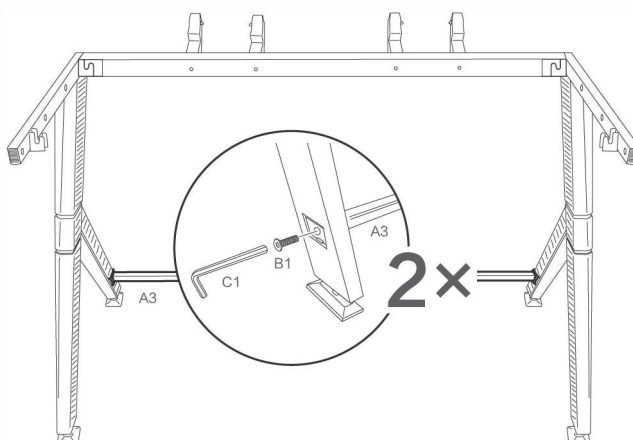
**02 Instructions before Using Desk Installation**

Please work on soft floor or put on soft mat on the floor to avoid damaging the floor.

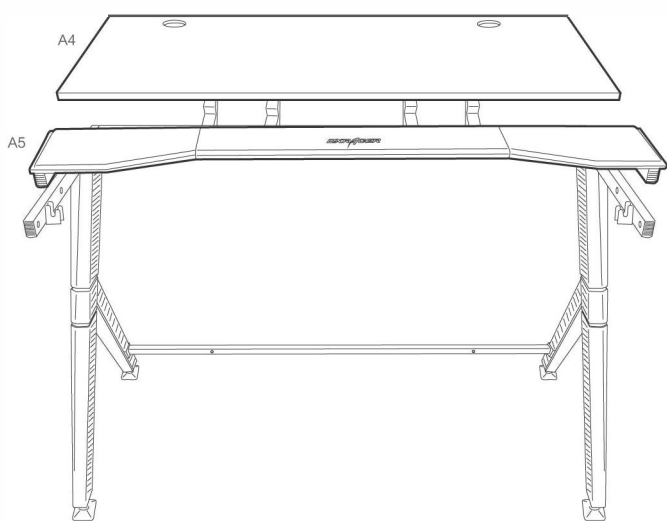
1. Turn over the four parts of B4 on A2 as shown and lock. Attach A2 and A9 on A12 and A13 as shown. (It is recommended to complete this step with two persons)



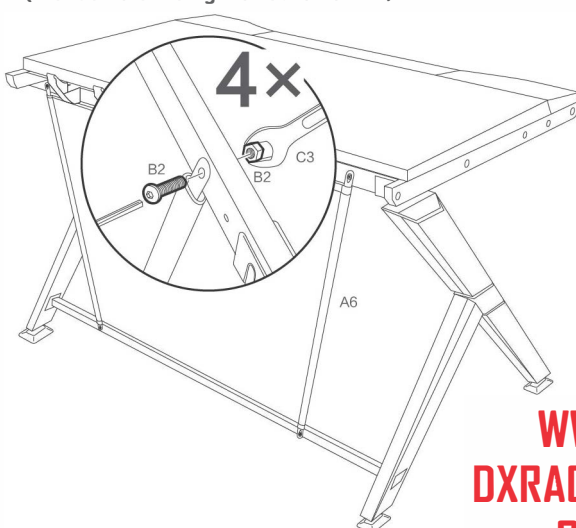
2. Attach A3 between A12 and A13, Lock it with B1 and C1.



3. Attach A5 as step1 and put on desk surface A4. (Please note to lock the screws under A5)



4. Attach A6 in the front of desk, Lock it with C2 and C3. (Please note the right direction of A6)

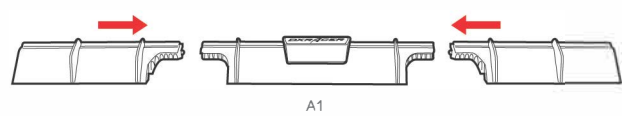


**WWW.DXRACER.COM**

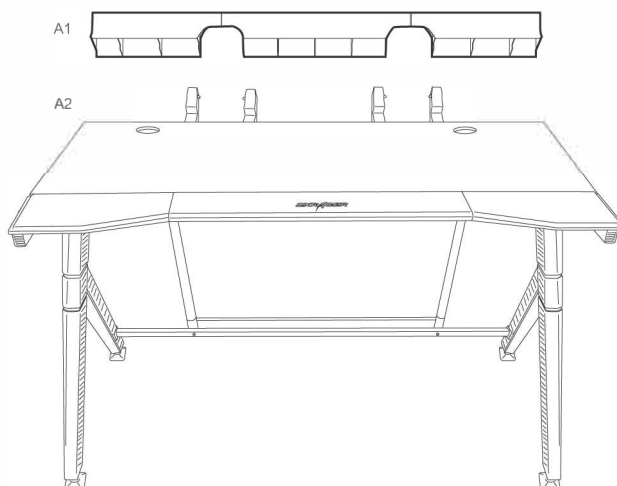
**Gaming Desk User's Manual**

Thank you for your trust and support on DXRACER®, we will serve for you heartedly. Please assemble according to the manual. The picture is only for reference, please make the object as the standard.

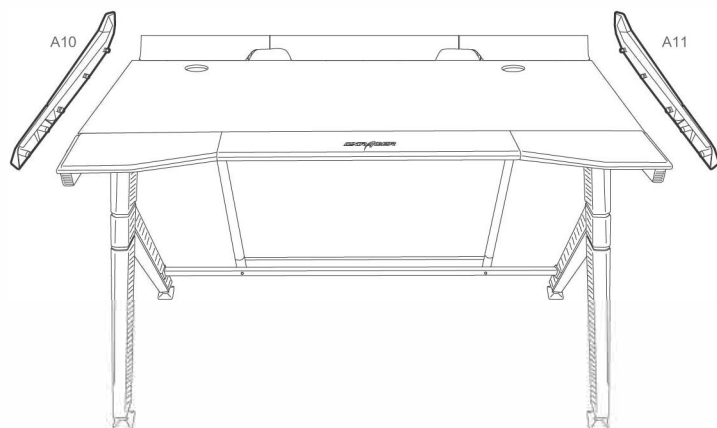
5. Combine A1 part as shown.



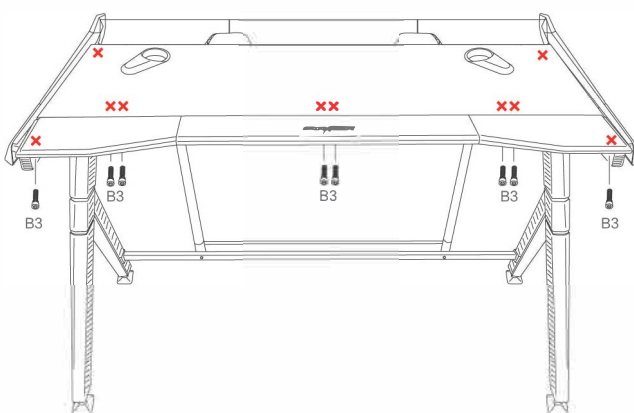
6. Attach A1 with A2.



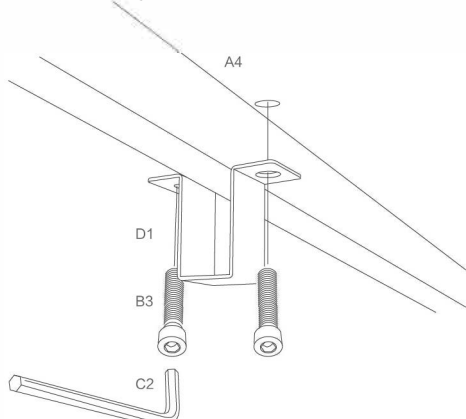
7. Attach A10 and A11 on both sides of the desk. (A10 and A11 are hard to remove after attachment)



8. Lock parts of this desk under A4 by ten B3. Note: X use B3 here



9. Attach D1 under the front of A4, lock with B3 and C2. (D1 is an accessory for a selective attachment)



10. Lock the screws on A3 and attach A7 on A3, A8 on A4.

